

# KS30

## 2D Fix Barcode Scanner



### Innovation assistance

The KS30 industrial-grade barcode scanner provides you with a cost-effective way to enhance and improve internal processes, reducing additional personnel and overhead, through high-performance scanning capabilities, whether 1D/2D, normal or high-density barcodes, to Barcodes marked directly on parts (DPM), even documents, image collection, remote scanning, KS30 series products not only meet and meet your needs, but also add more feasibility and reliability to your innovation!

### Widely used

The KS30 industrial-grade barcode scanner is specially designed for applications that operators cannot monitor forever and need to work automatically, and provides a variety of setting options to determine the reading and output of data to match the field application protocol and your Commercial PC, server or ERP for data exchange, to provide your organization with solutions to meet various barcode reading needs, suitable for different work scenarios and environments, to improve the accuracy of data reading for customers, and for manufacturing Production, logistics and distribution, warehousing management, production line monitoring, increase high traceability, and greatly improve your organizational capabilities!

### Industrial grade design

The KS30 Series adopts an all-zinc alloy shell and external thermal fins to effectively reduce the ambient temperature caused by high-efficiency operation, and adopts a high-resistance G-force core module ( $2000G \pm 5\%$ ) to resist the vibration caused by the on-site environmental vibration. At the same time, a special transmission line specially designed for the mechanical arm can be selected to extend the wire loss caused by the movement and swing, thereby providing more stable use requirements. Industry standard for particulate protection.



# KS30

## Application Ability

KS30 series products, using megapixel level (1280 x 960) optical sensor, combined with PRZM intelligent imaging technology, allocates the decoding action to the scan engine and the decoding chip operates synchronously, thereby shortening the data processing time and speeding up the data collection. Long-distance (6M) or short-distance (4.3cm) reading, wide-angle or narrow-angle field of view, excellent performance with extraordinary motion tolerance and intelligent compensation for decoding poor barcodes, the unique PickList function enables you to It can accurately read the barcodes actually needed, and the automatic decoding ability can work in low light, and it can easily complete the reading task in the environment of poor light.

## Barcode Reading Advantages

Omnidirectional scanning capability for unparalleled ease of use, a variety of different sights (LED dot/cross laser/dot laser), read distance options (close, medium and long range), micro barcode (4 x 4mm ), high density barcode (3mil), DPM barcode, document, passport (OCR) and image reading.

## DPM barcode capture capability (KS305x-DP only)

Powerful intelligent calculation and optical design, the KS305x-DP can capture DPM barcodes of almost any size, surface, different contrast or high density, including mechanical dot engraving, laser etching, ink coding, chemical etching, thermal spraying. Type DPM barcode.

## Convenient system setting and version update capability

Through the online setting program, you can update and upgrade the latest software version of KS30 at any time, so that your device is always in the latest version. You can also use this program to quickly and easily complete the setting requirements of various applications to meet the process settings of your application.

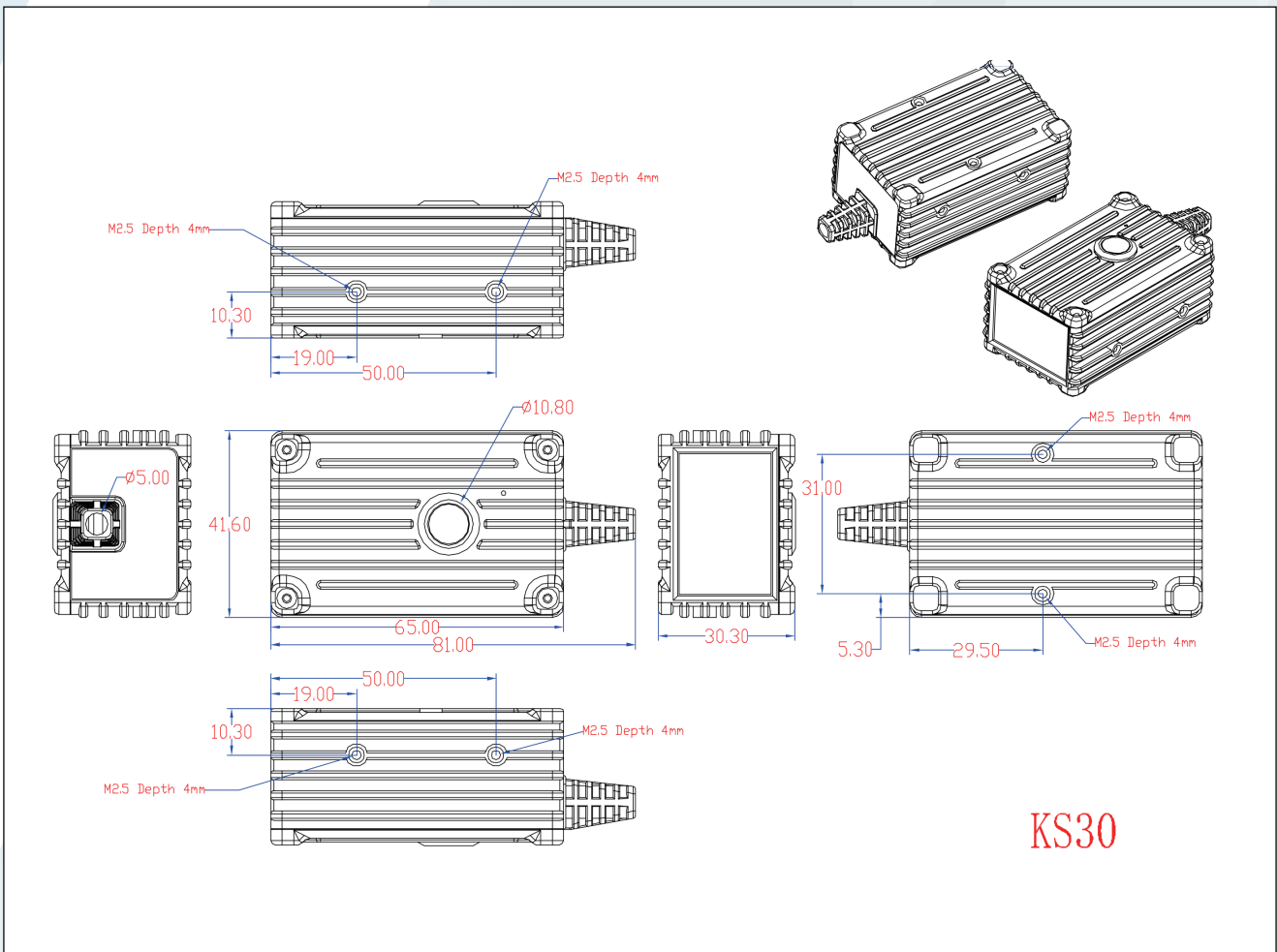
## Power and signal cables

The connecting cables have passed 800,000 swing tests, and the special cables for robotic arms have passed up to 3,000,000 swing tests and 1,000,000 drag chain tests. Both standard USB and RS232 interfaces are provided, and an optional pull-out trigger function ( Multi-function line for external Led, key switch, buzzer).



# KS30

## 2D Fix Barcode Scanner



# KS30

## 2D Fix Barcode Scanner

	KS305x-SR	KS305x-MR	KS305x-DP
Type			
Communication			
Connection	Cable		
Interface	USB or RS232		
Optics			
Sensor Resolution	1280 x 960 pixels, global shutter		
Aiming Led / VLD illumination	655nm Laser Laser cross		655nm Laser Laser Point
Reading Precisions	≥ 3mil	≥ 4mil	≥ 3mil
Field of View	Horizontal: 48° , Vertical: 36.7°		Horizontal: 31° , Vertical: 23°
Skew, Pitch & Roll	Skew Tolerance: ±60° Pitch Tolerance: ±60° Roll Tolerance: 360°		
Print Contrast	≥ 25%		
Scan Rate	60 frames /sec		
Performance			
Typical Working Ranges	3 mil Code 39 : 71 - 158mm 5 mil Code 128 : 58 - 221mm 5 mil PDF 417 : 76 - 206mm 6.67 mil PDF 417 : 56 - 269mm 10 mil DataMatrix : 61 - 269mm 100% UPCA : 41 - 584mm 15 mil Code 128 : 61 - 640mm 20 mil Code 39 : 41 - 922mm	5 mil Code 128 : 188 - 406mm 5 mil PDF 417 : 206 - 333mm 7.5 mil DataMatrix : 211 - 325mm 10 mil DataMatrix : 178 - 432mm 100% UPCA : 58 - 965mm 15 mil Code 128 : 102 - 1017mm 20 mil Code 39 : 53 - 1372mm 100 mil Code 39 : 279 - 4369mm 160 mil DataMatrix : 292 - 3505mm	3 mil Code 39 : 43 - 109mm 5 mil PDF 417 : 43 - 109mm 6.67 mil PDF 417 : 43 - 119mm 5 mil DataMatrix : 48 - 102mm 10 mil DataMatrix : 41 - 124mm 5 mil QR Code : 48 - 102mm 10 mil QR Code : 28 - 127mm 100% UPCA : 61 - 185mm
Scan Type	Trigger mode, Autosense Mode, PickList Scan, Auto Aim, Continuous Scan, Programming Scan		
Symbologies			
1D Symbologies	Autodiscriminates all standard 1D codes including GS1 DataBar™ linear codes		
2D Symbologies	PDF417, MicroPDF417, Datamatrix, QR Code, Micro QR Code, Aztec, Composite, TLC-39, MaxiCode, Dotcode; Grid Matrix		
Postal Codes	US PostNet, US Planet, UK Postal, Australian Postal, Japan Postal, Dutch Postal (KIX), Mailmark		
Image File Formats	BMP, TIFF, JPEG		
OCR Ability	OCR-A, OCR-B, MICR E13B and US Currency Serial Number		
Scan Preferences	Scan barcode, Capture photo, Video, OCR identification		
Programmable Features	Data editing, Barcode setting, Firmware update		
Physical Dimension			
Color	Fog black		
Shell	Zinc alloy		
Dimension	30.3 mm H x 41.6 mm W x 65 mm D		
Weight	170g ± 5 (Without Cable) 220g ± 5 (With Cable)		
Mechanical / Electrical			
Input Voltage	VCC = 5.0 ± 0.5V		
Operating Current	Total Current Draw: 440mA Current draw in low power (hibernate mode) = 360uA		
Shock Rating	2000 G ± 5%, any mounting surface		
Use Environmental			
Operating Temp	-30 °C to 60 °C		
Storage Temp	-40 °C to 70 °C		
Humidity (non-condensing)	Operating: 95% RH non-condensing at 122 °F / 50 °C Storage: 85% RH, non-condensing at 158 °F / 70 °C		
Ingress Protection	IP 65		
Electrostatic Discharge	Air 8KV		
Ambient Light	Max 96,900 lux (direct sunlight)		
Certification Specification	BSMI, CE, FCC, RoHS		
REGULATORY			
Laser Classification	Laser Aim Models: Intended for use in CDRH Class II/IEC 825 Class 2 devices LED Aim Models: Classified as Exempt Risk Group per IEC/EN 62471		
Electrical Safety	Laser Aim Models: UL, VDE and CU recognized laser component LED Aim Models: UL Recognized Component which complies with IEC/EN 60950-1		
Accessories			
Standard Cable	1.2M USB / RS232 Cable		
Trailing Cable	5M USB / RS232 Trailing Cable		
Warranty			
Warranty	2 years		